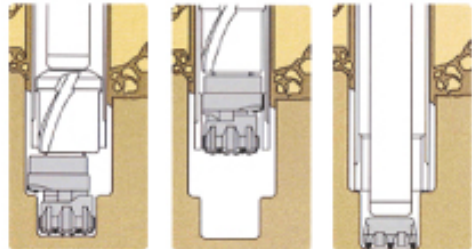
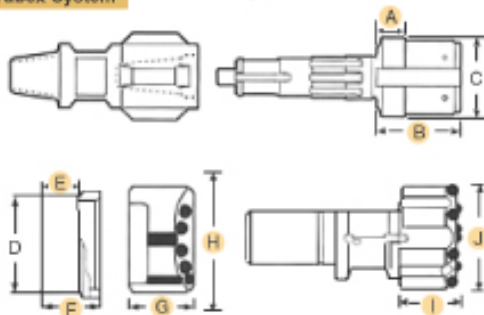




T ADVANTAGES

- Down-hole casing keeps formation from collapsing making well installation easier.
- No drilling fluids required.
- System works with Hollow Stem Auger rigs resulting in cost savings compared to larger air rotary rigs.
- Reduced drilling time vs. conventional mud rotary systems.
- Temporary isolation from upper water bearing formations.

Tubex System



Model	Guide Device			Casing Shoe				Reamer		Pilot Bit			
	A(mm)	B(mm)	C(mm)	D(mm)	E(mm)	F(mm)	G(mm)	H(mm)	No. of Button	I(mm)	J(mm)	No. of Button Gauge	Button
TBS 115	50.6	131	126	127	50	76	70	151.2	3	67	115.8	8	6
TBS 140	52.8	155	153.6	155.3	63	90	70	185.8	6	62	141.2	8	10
TBS 165	62.5	170	179	180.7	65	95	80	211.2	5	67.7	165.8	8	12
TBS 180	64.5	199	191	192.7	72	110	89	232.3	8	89	179	8	16
TBS 190	62.8	185	203	204.7	72	110	88.9	236.2	7	87.4	190.8	8	19
TBS 230	70.2	220	247	248.8	85	138	101	286	12	89	228.5	10	25
TBS 240	69.7	190	257	258.3	75	111	100	308	13	89.4	240.8	12	32
TBS 280	98.1	255	303	304.7	75	125	120	378	24	143	179.3	12	27
TBS 365	100	240	382	384.5	70	120	140	450	19	140	365	16	42

Model	Size (mm)	Extended Position	Retracted Position	Casing Size (mm)			Shoulder Dia. (mm)	Shank Type
				O.D.	I.D.	Thickness		
TBS 115	115	151.2	115	142.0	128.0	6.6	126	IR 340, SD 4
TBS 140	140	185.8	140	171.0	155.6	6.4	153.6	IR 350, SD 5
TBS 165	165	211.2	165	195.6	182.5	6.4	179	IR 360, SD 6
TBS 180	180	232.3	180	219.0	193.7	12.7	191	IR 360, SD 6
TBS 190	190	236.2	190	222.0	205.0	7.0	203	IR 360, SD 6
TBS 230	230	286	230	273.0	250.2	11.4	247	IR 380, SD 8
TBS 240	240	308	240	273.0	260.4	6.4	257	IR 380, SD 8
TBS 280	280	378	280	327.0	304.8	9.5	303	IR 310, SD 10
TBS 365	365	450	365	408.4	387.4	9.5	382	IR 112, SD 12, N 120