

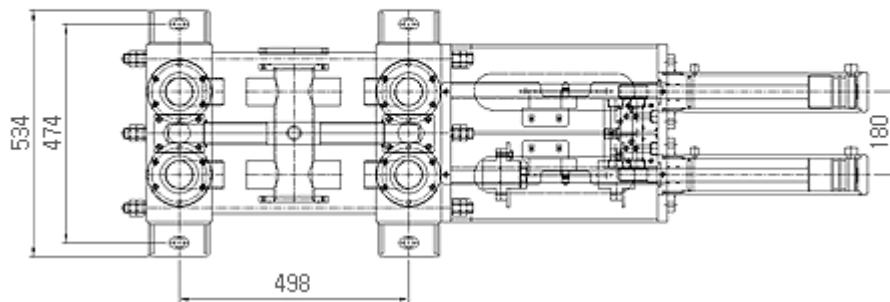
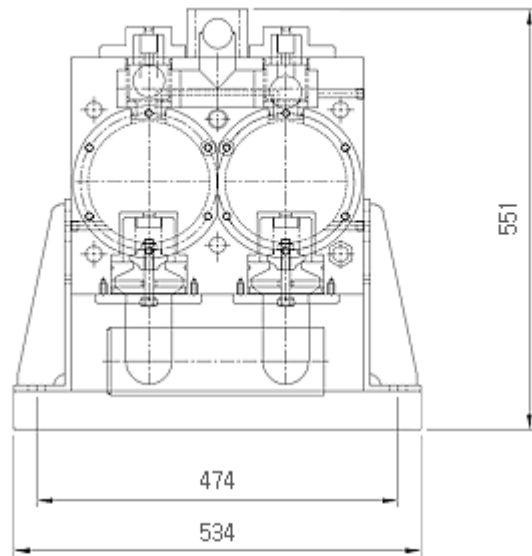
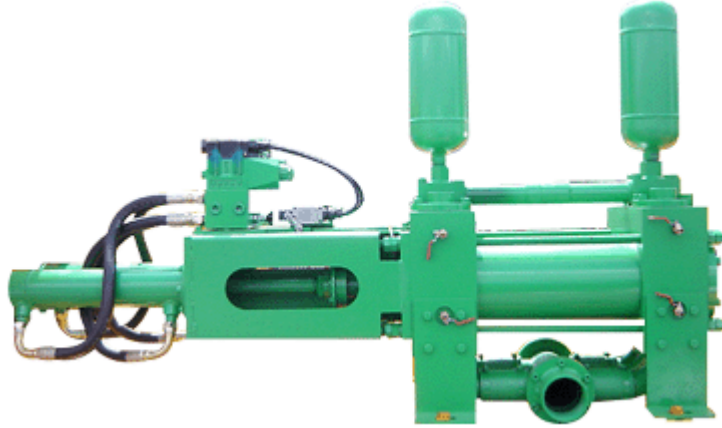


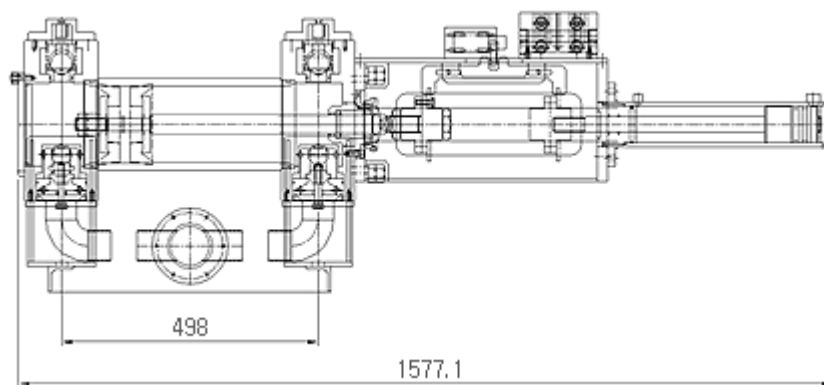
HANJIN DRILLING CO.,LTD

Product



JDMP800 - 150H



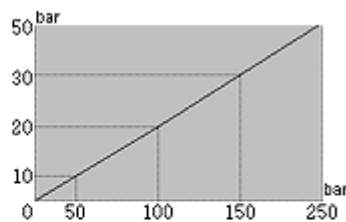


Description	Unit	Specification	
		LOW	HIGH
RATIO		7 : 1	5 : 1
Type		Double acting, Duplex Piston	
Dia of Cylinder	mm	125	
Capacity	ℓ/min	800	
Max. Pressure	kg/cm ²	35	50
Dia of output hole	mm	50 (2")	
Dia of input hole	mm	76 (3")	
Stroke Length	mm	250	
No. of Stroke		70	
Oil Flow	ℓ/min	50~150ℓ/min, 175kg/cm ²	
Type of valve	-	Ball	
Weight	kg	380kg	
Material		FCD & SUS	

● Diagrams / Maps

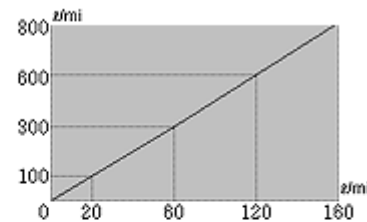
MUD PRESS

RATIO
5:1



HYDRAURIC PRESS

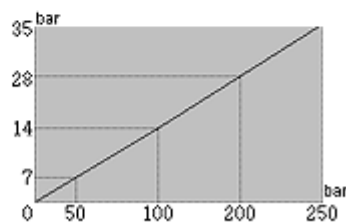
MUD VOLUME



HYDRAURIC VOLUME

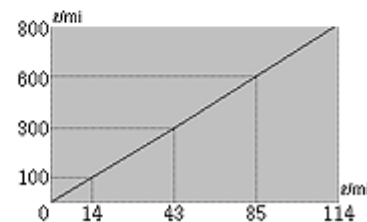
MUD PRESS

RATIO
5:1



HYDRAURIC PRESS

MUD VOLUME



HYDRAURIC VOLUME