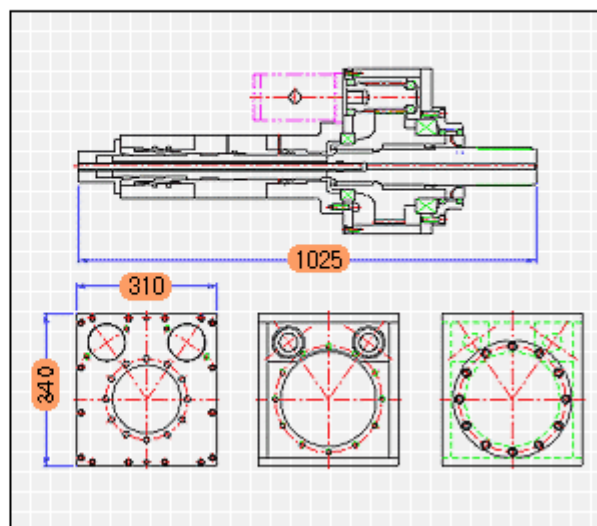
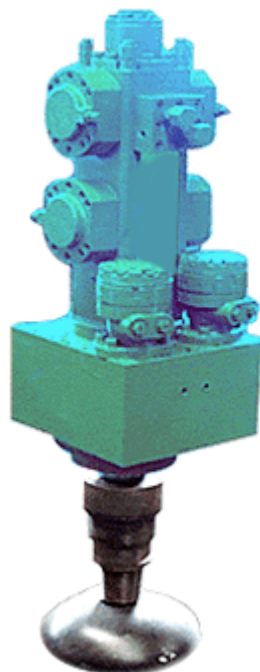



**JDMD 800**
**DESCRIPTION**

- STRONG POWER
- OIL CIRCULATION METHOD IN GEAR BOX
- LOWER BRACKDOWN
- SIMPLE DESIGN - EASY OPERATION & GOOD MAINTENANCE
- ECONOMIC ACCEMLBY FOR SPARE PART
- NO NEED Air Compressur (up to 3", 100M)

MODEL		JDMD 800	
Blow Frequency		-> 2000	
Drifter	Energy	25 - 50 Kg·m	
	Flow	150ℓ/min	
	Pressure	80kg/cm <sup>2</sup>	
Rotation Head	Rotation	1st	0 - 120 r.p.m
		2nd	0 - 60 r.p.m
	Torque	1st	250 Kg·m
		2nd	500 Kg·m
	Flow	143ℓ/min	
Pressure	320kg/cm <sup>2</sup>		
Drilling Capacity		3" - 4"	
Casing Capacity		3" - 6"	
Drilling Depth Max		150m(50m/8hrs)	
Dimension		0.34M*0.31M*1.03	
Weight		250kg	